

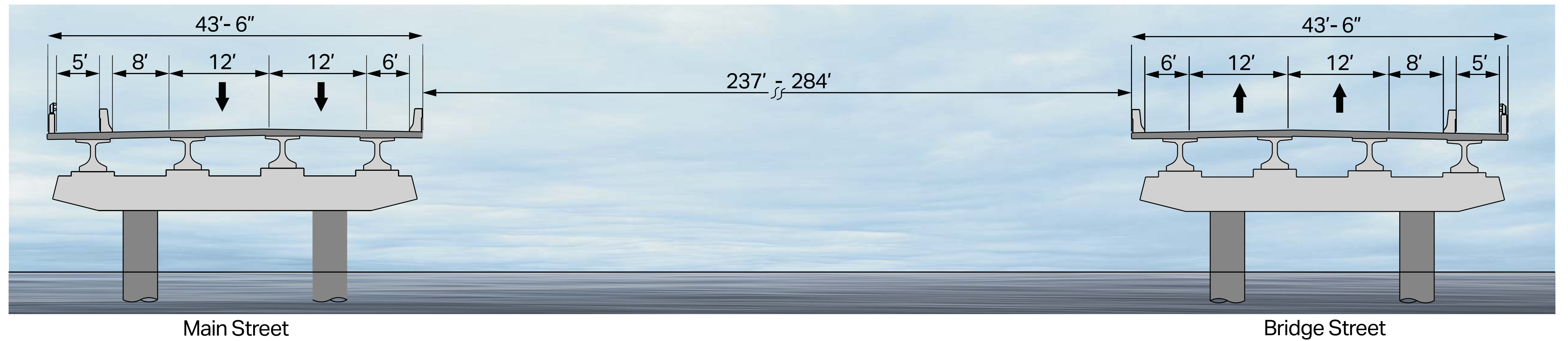


# SR29 LaBelle

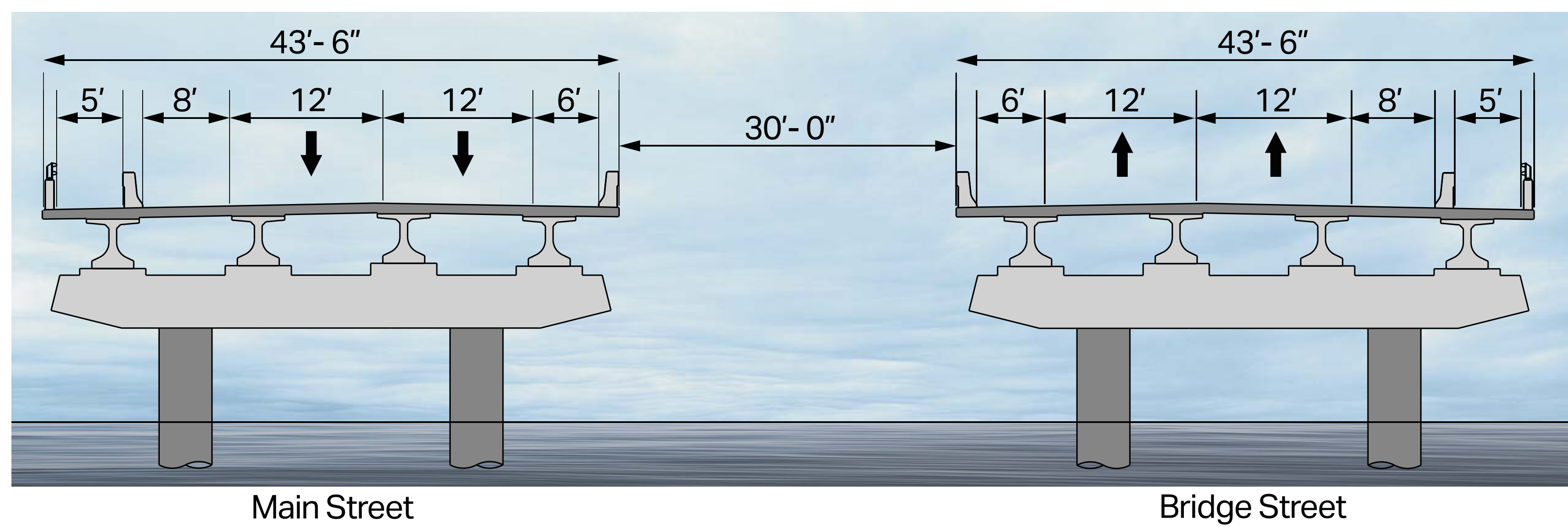
From CR 80A (Cowboy Way) to North of CR 731 (Whidden Rd)  
Financial Project Number 417878 1 22 01

# Proposed Typical Sections

Bridge Alternative 1 & 3



Bridge Alternative 2



## From Nobles Road to north of Whidden Road

North of River Alternative 1, 2 & 3

